

POC Self-Determination

27 February 2019



Scottish & Southern
Electricity Networks

Identifying the Point of Connection (POC)

- Suitably accredited ICPs can determine the POC in the majority of circumstances, as detailed further in the Standard Design Matrix published on the SSEN website.
- ICPs wishing to self-identify the POC in relation to a Connection must submit a notice (a “POC Notice”) using the relevant SSEN online form in the secure area from the Competition in Connection page of the SSEN website.

Secure Area

How an ICP identifies POC

Competition in connections - for ICPs and IDNOs

When customers have a choice, competing providers are naturally driven to deliver a better service. We continue to work with Ofgem and ICPs to identify and implement further scope of works that can be opened up to competition.

If you have the appropriate NERS accreditation and have been engaged by a client to deliver their new connection, we can provide you with the necessary non-contestable services.

If you would like to find out more about gaining the necessary accreditation to compete for new connections work, please visit the [Lloyds Register Website](#). Our simple [diagram](#) illustrates the high level process of opening up the connections market.

- [Visit the Lloyds Register website](#)
- [Connections useful documents](#)
- [Land Rights Requirements and Documentation](#)
- [Entering the electricity connections market](#)
- ⬇️ [Non-contestable process flowchart](#)

ICP application

Make an application for an electricity network connection you wish us to adopt. Please ensure you download the application form before continuing with your online application.

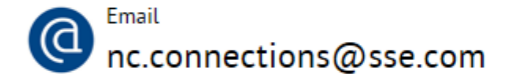
- ⬇️ [Download application form](#)
- [Online application](#)

Notify us that you are determining the point of connection. Please refer to our POC Self Identification and Self Design Approval Guidance Note before continuing with your application. It explains when you can determine your POC and also when you can approve your own on site design, if applicable. This guidance note can be found on our secure website once you have logged in.

- [Access our specifications and network information](#)
- [Online notification for self-identified POC](#)

IDNO application

Contact us



Access to specifications, network information and GIS

Information and data specifically for registered alternative providers - Independent Connection Providers (ICPs) and Independent Distribution Network Operators (IDNOs).

If you would like to receive our network mapping information in a Shape file please follow this process:

- ⬇️ [How to receive our maps](#)
- [Online documentation](#)

- [G81 Design, Specification and Operational Documents for Comment](#)
- [Safety Bulletins](#)

Alternative providers register

We understand that opening the market to competition will be highly beneficial to customers, ensuring that their connections are delivered in a safe, timely and cost effective manner. We also know that ensuring

Specifications, Network Info and GIS

Alternative Provider Network Information

Welcome to Scottish and Southern Electricity Networks website providing network information and data specifically for use by registered Alternative Providers - Independent Connection Providers (ICPs) and Independent Distribution Network Operators (IDNOs) - to enable design analysis to determine a suitable Point of Connection (POC) to our electricity distribution network.

Useful links

- ▶ For ICPs and IDNOs
- ▶ Connections FAQs
- ▶ Guaranteed Standards
- ▶ Our Plans and Commitments

G81 Design, Specification and Operational Documents

Network Geographical Information System (GIS)

HV Network Schematics

POC Self Identification Matrix & Self Design Approval Guidance

Network Rating and Loading Information

Cost Apportionment Register

G81 Design, Specification and Operational Documents for Comment

Safety Bulletins

Specification Documents

G81 Design, Specification and Operational Documents

This page provides all G81 documents. It also allows these G81 documents to be filtered by Section (such as 'Cables' and 'Overhead Lines') to allow ease of use. Please use the filter drop down list below to select the desired Section.

All Documents

Apply Filter

Cables



- Show All
- Cables
- Drawings
- Earthing
- 27 Oct 2018 TG-NET-CAB-008 Joints and Termination
- Miscellaneous
- Operational
- 22 Jan 2018 TG-NET-CAB-007 Planning and Design Guide
- Records
- Substation
- Testing and Commissioning

Filter

27 Oct 2018 TG-NET-CAB-008 Joints and Termination

22 Jan 2018 TG-NET-CAB-007 Planning and Design Guide

21 Jan 2018 TG-NET-CAB-009 Load Ratings of LV to 33 kV Underground Cables

21 Jan 2018 TG-NET-CAB-001 Installation of Electricity Service, Intake and Distributor Cables up to and Including 33kV

21 Jan 2018 TG-NET-CAB-010 Electrical Constants for LV to 33 kV Underground Cables

FO-PS-188 Consent to Connect and Network Release, Parts 1-5

GIS Access

Street Name	Locality	Town	County	Geographic
Dunkeld Road		PERTH	Perthshire	Goto
Dunkeld Road		PERTH	PERTH	Goto
Dunkeld Road	Bankfoot	PERTH	Perthshire	Goto

Starting Record	Requested No. of Records	Displayed	Total No. of Records	Last
1	10	3	3	True

Navigation

Zoom: 1:250

Mode: Pan

Layer: All Voltages

Gazetteer: Goto

Type: Street Name

Street: dunkeld road

Town: perth

Plotting: Plot

Template: A3

Type: Current Layer

Title 1:

Title 2:

Map Status

Centre: NO 0648 3587

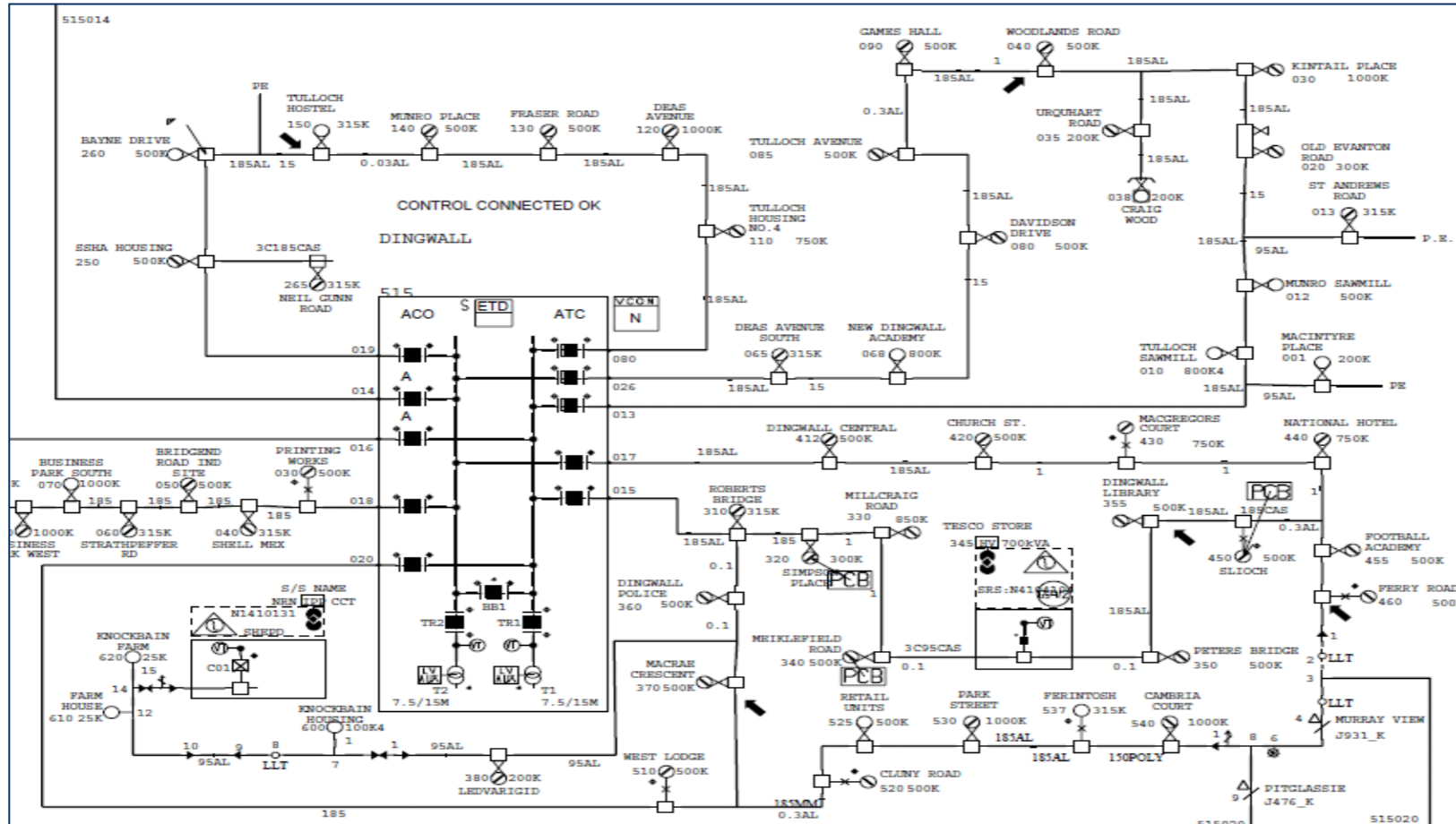
Scale: 1:250

Layer: [500]

Width: 102m

Height: 63m

Network Diagrams



Asset and Load Information

Scottish & Southern Electricity Networks (South)

Primary Transformer, HV Feeder and Distribution Transformer Rating, Load and Fault Level Data for POC Assessment

NRN	Primary (Source) Substation	Customers	Rating (MVA)	Demand (MVA)	Fault Level (kA)
TONG	TONGHAM	9,846	30	15.4	16.0

NRN	HV Feeder	Customers	Summer (Amps)	Autumn (Amps)	Winter (Amps)	Spring (Amps)
E1L5	OVERTON CLOSE WITH TEES	459	21	24	64	59

Previous Year			
Summer (Amps)	Autumn (Amps)	Winter (Amps)	Spring (Amps)
56	20	68	25

NRN	Distribution Transformer	Customers	Rating (kVA)	Demand (kVA)	Demand (Yr - 1)	Demand (Yr - 2)
160	ANDOVER WAY	112	500	156	208	156

NRN	LV Feeder	Customers
003		20

Network Reference Number (NRN) Identity Tool using Address Details or Substation name

Enter postcode and house number of a nearby property below OR use S/S name

Postcode (please use spaces)

House Number

Distribution S/S Name

If no house number, use postcode only and confirm LV NRN using GIS / HV schematics

Resulting NRN Unknown now enter into the NRN Selector opposite

Network Reference Number (NRN) Selector

To identify NRN, use GIS / HV schematics. Alternatively use tool opposite

To view required transformer and circuit loads, please enter NRNs below

TONG select primary substation NRN from drop down list

E1L5 enter HV Feeder NRN (alphanumeric code)

160 enter Distribution Transformer NRN (3 digit numeric code)

To view LV feeder details, please include LV Feeder NRN below

03 enter LV Feeder NRN (2 digit numeric code)

Network Capacity Information – New webpage

Get Connected

We provide thousands of new connections to our networks every year. We're here to help whether you're building a new home or constructing a major development. We can also help if you want to connect a generating plant from a major wind farm to a single small turbine or solar panels.

Call us
0800 048 3516

Email us
connections@ssen.co.uk

Our promises to you...
Our Connections Customer Charter sets out our promises to you throughout your connection journey.
[Customer Charter](#)

Connection Offer Expenses
We're introducing Connection Offer Expenses to make the cost of connections fairer for all our customers.
[Connection Offer Expenses](#)

For developers
If you're a developer or larger company and you need multiple or complex connections, we're here to help.
[For developers](#)

Small projects
You can apply online for up to four new connections.
[Small projects](#)

Apply online
Click below to apply online for a new small connection (1-4 connections).
[Small projects](#)

Network Capacity Information
Access information on the loading and capacity of our network assets.
[Network Capacity](#)

Contacts Guide - South
Find out who you need to contact regarding your new connection or project in central southern England.
[England](#)

Contacts Guide - North
Find out who you need to contact regarding your new connection or project in northern Scotland.
[Scotland](#)

Moving your existing supply (service alteration)
If you want to move the connection point and meter to a new location you can apply to us for a service alteration.
[Service alteration](#)

Generation connections
A significant part of our work is connecting new generation plants. This is anything from solar panels to wind farms.
[Generation connections](#)

Unmetered connections
Apply online for a new connection, transfer of an unmetered asset or apply to an unmetered connection.
[Unmetered connections](#)

ICPs and IDNOs
We continue to work on improving the platform of information provisions, accessibility and the updates you receive.
[Competition in connections](#)

From our Connections Home page, you can now access our Network Capacity Information from one single webpage

<https://www.ssen.co.uk/NetworkCapacityInformation//>

Scottish & Southern Electricity Networks | Powering our community

Account | Menu | Search | Accessibility

Power Cuts & Emergencies | Connections | General Enquiries | Customer Support & Community | More

Network Capacity Information

Welcome to our network capacity portal where you can access information on the rating and capacity of our network assets using the links below

Long Term Development Statements (North and South)

Our Long Term Development Statements for both of Scottish and Southern Electricity Networks regions include information for anyone connecting to our distribution system at extra high voltage (EHV) level (including HV busbar of primary substations). It is designed to help to identify and evaluate opportunities for entering into arrangements with us relating to use of system or connection.

www.ssen.co.uk/LTDS/

Questions?

Call us
0800 048 3516

Email us
connections@ssen.co.uk

Useful Links

- [Connections Home](#)
- [Small Projects](#)
- [For Developers](#)
- [Generations Connections](#)
- [Competitions in Connections](#)
- [G81 Design, Specification and operational documents](#)
- [Connection Offer Expenses](#)
- [HV Network Schematics](#)
- [Connections Help](#)

Generation Availability - Heat Maps (North and South)

The generation availability maps provide an indication of the network's capability to connect large-scale developments to Major Substations. The heat maps for both of our Scottish and Southern Electricity Networks regions provide Grid Supply Point (GSP) details, GSP and substation transformer ratings, Fault level information and contracted and quoted generation projects at each GSP.

www.ssen.co.uk/generationavailability/

Demand Availability - Heat Maps (North and South)

The demand availability maps provide an indication of the network's capability to connect large-scale developments to Major Substations. The heat maps for both of our Scottish and Southern Electricity Networks regions provide Grid Supply Point details, GSP and substation transformer ratings and the minimum and maximum loads.

www.ssen.co.uk/ContractedDemand/

Network Rating and Loading Information

We have compiled loading and maximum demand data for individual feeders and substations. This data has been prepared for both of Scottish and Southern Electricity Networks regions and will give you information about the local network to allow the analysis required to ensure a safe and secure supply when self identifying POCs

(Please note that you will be asked to register your e-mail and a password to view network rating and loading information on our secure website)

www.ssen.co.uk/CompetitionsInConnections/NetworkRatingandLoading/

Orkney ANM Live

Orkney ANM—Live provides real time information on the status of the Active Network Management System (ANM). It has been designed to help ANM generators understand when the system is operating as expected and when there may be faults.

www.ssen.co.uk/ann/

The information we provide

- The further relevant information we will pass to the ICP includes:
 - Details of any ECCR second comer charges*
 - Details of any cost apportioned second comer charges*
 - Details of any contracted additional loads
 - Network constraints that may impinge on the connection
 - Timescales for any upstream reinforcement that is planned but not available online; and
 - Any interactivity (as it occurs)



The information we provide

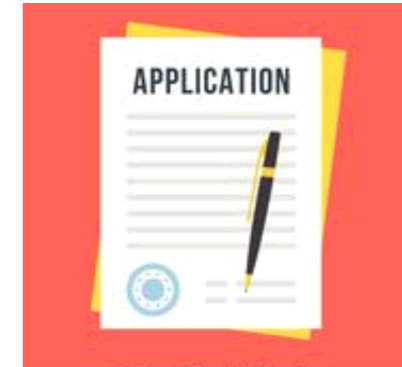
- If application is >250kVA Network planning will provide the NCD with any additional load info the ICP will need to do their network study
- If application is >500kVA System Planning will be notified and they will advise if an EHV network check is required.
- Network and System planning don't check the network – they provide the information the ICP will need to conduct the check.

3 potential outcomes of Network/System Planning Check

- (1) No EHV network study is required and no additional relevant network information is identified;
 - NCD will email ICP noting no network info identified
- (2) No EHV network study is required and additional relevant network information is identified which must be provided to the ICP;
 - NCD will email ICP with the additional network info
- (3) An EHV network study is required and the ICP cannot determine their own POC.
 - NCD will advise the ICP of the above and then ask if they would like to progress with an SLC15 application

Next steps

- The ICP will advise us when their customer has accepted the offer the ICP has issued them.
- The ICP will then need to submit an SLC15 application and POC plan
- Where the ICP has identified their own POC, Connection Offer Expenses (COE) will not apply.
- An SLC15 offer is required to secure the capacity requested for the connection. The ICP should also advise us whether they wish to do their own design approval.



Lloyds NERS Accreditation

Find a NERS accredited Independent Connection Provider (ICP).

LV CABLE NETWORKS

TO DOMESTIC PROPERTIES

TO INDUSTRIAL / COMMERCIAL PROPERTIES

HV CABLE NETWORKS

11KV

S/STATION

11KV

SELF-DETERMINATION OF POINT OF CONNECTION (POC)

LV

11KV

ELECTRICAL DESIGN OF DISTRIBUTION
NETWORKS COVERING



Scottish & Southern
Electricity Networks